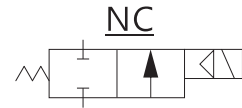
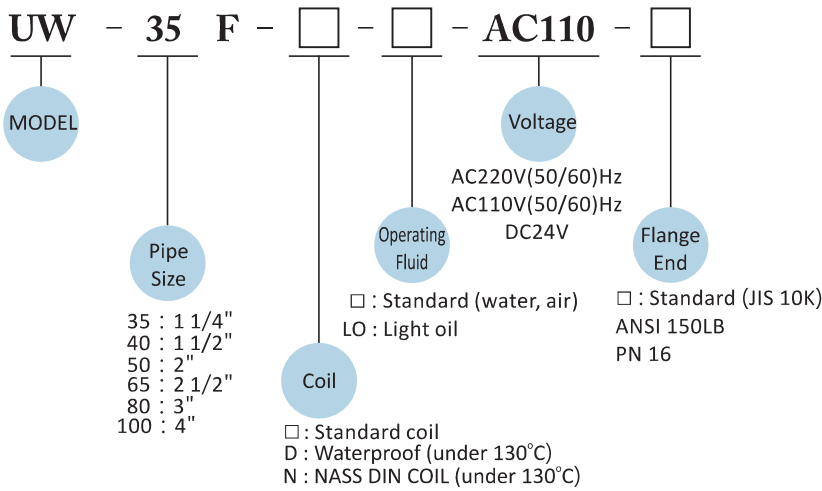


UW-35F~100F



UD Series

PRODUCT DESCRIPTION

- SUW series is multiplex, piston guiding, conductive and normally closed (NC) 2/2 way solenoid valve.
- Applied fluid type : water, air, light oil

CAUTIONS:

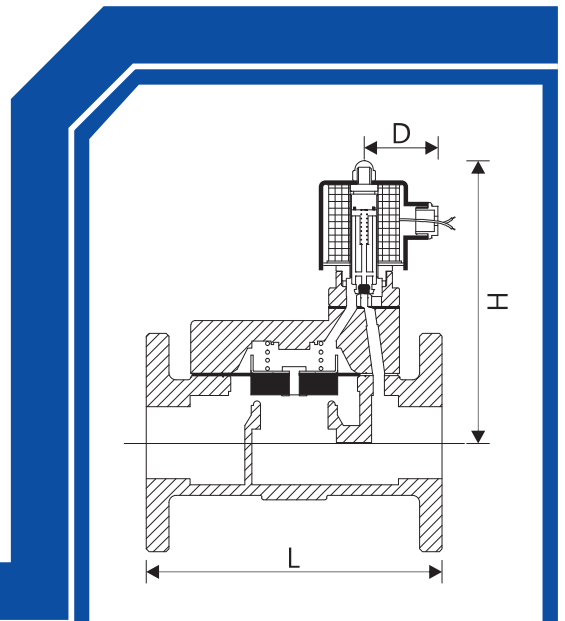
- Minimum pressure to open: over 0.5kgf-cm²
- Before pipelining, the pipe line must be very clean without any contaminants or impurity.
- To extend the lifetime, Y-line filter should be installed in the front end of solenoid valve.
- AC voltage tolerance: ± 10%; DC voltage tolerance: ± 1%
- It should be installed horizontally; vertical installation is not advisable.

Not Suitable For Fluid As Below:

- Liquid status when it is in high temperature; solid status when it is in low temperature.
- Corrosive fluid
- Viscosity over 20cst

MATERIAL:

PARTS	Coil	Tube	Spring	Core	Plug	Diaphragm	Valve body
MATERIAL	Special copper wire (H class)	Stainless steel	Stainless steel	Stainless steel	NBR	NBR	Cast Iron (FC-20)



SPECIFICATION

MODEL	Waterproof DIN/flying lead Coil	NASS DIN Coil (IP65)	PIPE SIZE	CV	ORIFICE	FLUID TEMP. (°C)	Operating Pressure kgf / cm ² (bar)					Dimension (mm)			Weight (kg)
							Water	Air	Steam	Light oil	Gas	L	H	D	
UW-35F	●		1 1/4"	22	35mm	-5°C ~ +80°C	0.5~8	0.5~8		0.5~5		200	164	48	8.9
UW-40F	●		1 1/2"	30	40mm	-5°C ~ +80°C	0.5~8	0.5~8		0.5~5		200	164	48	9.6
UW-50F	●		2"	40	50mm	-5°C ~ +80°C	0.5~8	0.5~8		0.5~5		210	170	48	11.3
UW-65F	●		2 1/2"	68	65mm	-5°C ~ +80°C	0.5~8	0.5~8		0.5~5		240	177	48	15.6
UW-80F	●		3"	102	80mm	-5°C ~ +80°C	0.5~8	0.5~8		0.5~5		300	191	48	20.8
UW-100F	●		4"	180	100mm	-5°C ~ +80°C	0.5~8	0.5~8		0.5~5		340	207	48	31.7